

## WALL-CONNECTION VERSIONS DIMENSIONS

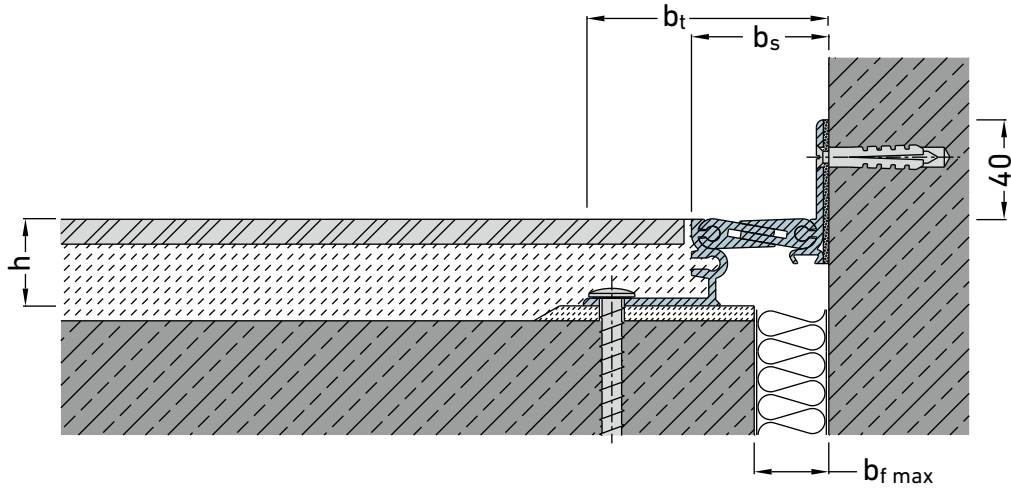
Expansion joint cover	Joint height* h [mm]	Wall-connection version E3			Wall-connection version E4		
		b <sub>s</sub> [mm]	b <sub>t</sub> [mm]	Joint depth min h <sub>E</sub> [mm]	b <sub>s</sub> [mm]	b <sub>t</sub> [mm]	Joint depth min h <sub>E</sub> [mm]
FS 40**	19, 25, 35, 60	40	101	44	40	101	40
FS 46	50	48	109	35	52	113	46
FS 50	20, 35, 50, 90	55	99	31	55	99	40
FSX 75	22, 30, 40, 50, 60, 80, 100	79	140	60	81	142	40
FS 99	20, 35, 50, 90	101	145	31	101	145	40
FSX 105	22*, 30, 50	106	168	60	109	170	40
FSX 110	30, 40, 50, 60, 80, 100	112	173	60	114	175	40
FS 110 ES	42, 52, 62, 77, 87, 97	116	173	60	116	173	40
FSX 130	40, 50, 60, 80, 100	136	197	60	138	199	40
FSX 146	22, 30, 40, 50, 60, 80, 100	148	209	60	150	211	40
FSX 155	22*, 30, 50	158	218	60	160	218	40
FSX 160	40, 50, 60, 80, 100	164	225	60	166	227	40
FS 167	30, 42, 52, 62	169	227	60	169	227	40
FS 185	27, 40, 80	186	246	75	186	246	50
FSV 235	45, 80, (90), (130), (140)	210	271	75	210	271	50
FSV 280	45, 80, (90), (130), (140)	256	317	75	256	317	50
FSV 285	27, 40, 80	285	345	75	285	345	50
FSV 335	45, 80, (90), (130), (140)	310	372	75	310	372	50
FSRX 111	30	96	160	60	98	162	40
FSRX 139	30	124	188	60	126	190	40
FSRX 144	30	129	193	60	131	195	40
FSRX 168	30	153	217	60	155	219	40
FSRX 180	30	165	229	60	167	231	40
FSRX 196	30	181	245	60	183	247	40
FSN 46			168	35		172	46
FSN 50			115	31		115	40
FSNX 75			202	60		204	40
FSN 99			161	31		161	40
FSNX 105			230	60		232	40
FSNX 110			235	60		237	40
FSNX 130			259	60		261	40
FSNX 146			271	60		273	40
FSNX 155			281	60		281	24
FSNX 160			287	60		289	30
FSN 185			298	75		298	50
FSN 280			342	75		342	50
FSN 285			397	75		397	50
FSL 77	20, 35, 50, 90	79	123	31	79	123	40
FSL 104	20, 35, 50, 90	107	150	31	107	150	40
FSL 113	20, 35, 50, 90	115	159	31	115	159	40
SFS 90	24, 30, 42, 50				90	135	50
SFS 115	24, 30, 42, 50				115	160	50
SFS 135	24, 30, 42, 50				135	180	50

\* Further expansion joint heights available on request

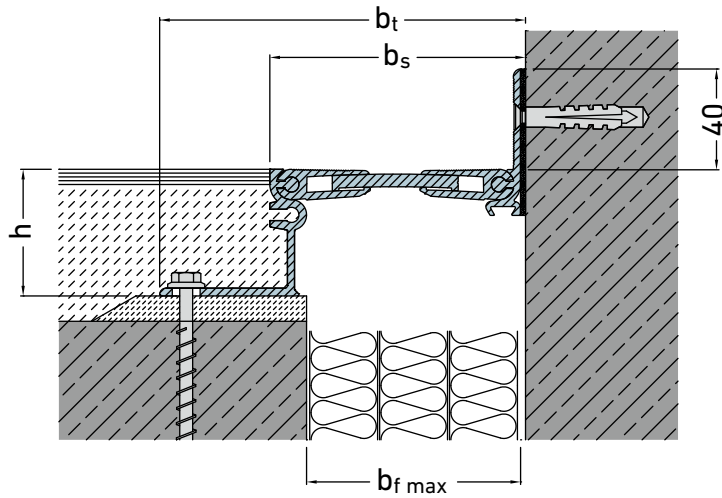
\*\* Corner versions on demand only

## WALL-CONNECTION VERSIONS

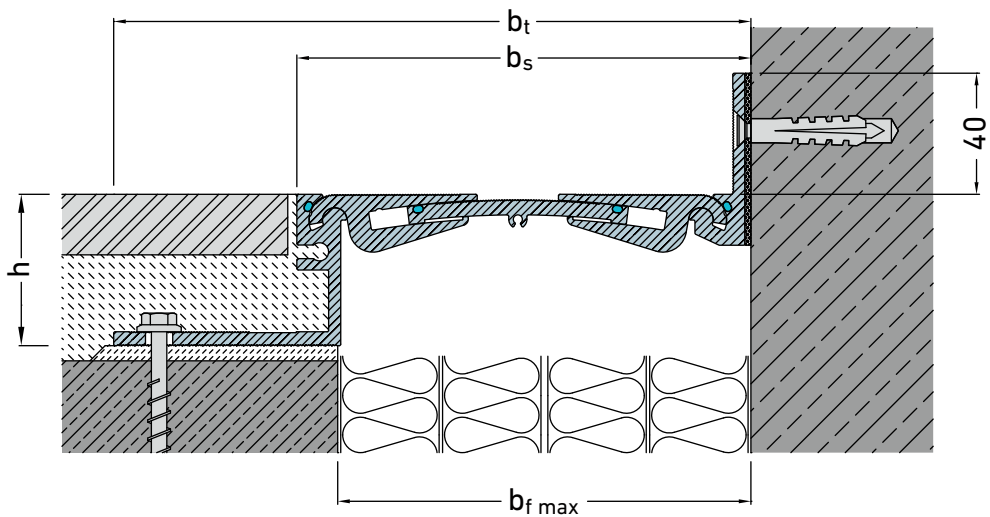
### FS E4



FS 50 E4



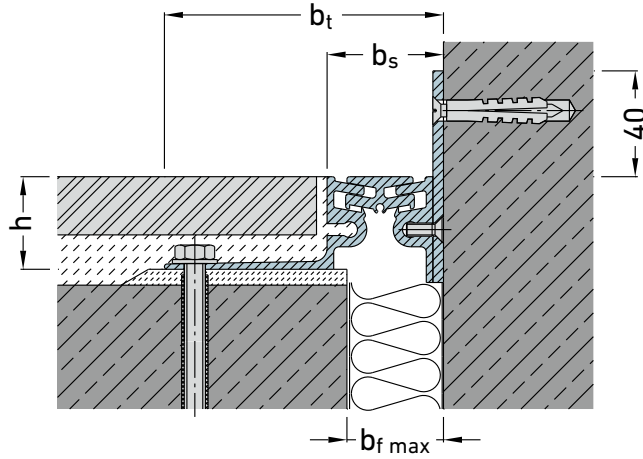
FS 99 E4



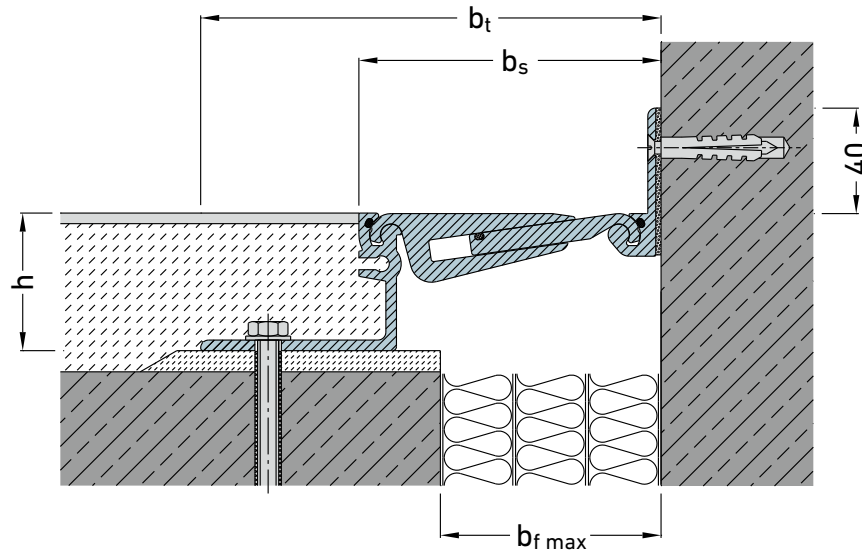
FSX 146 E4

## WALL-CONNECTION VERSIONS

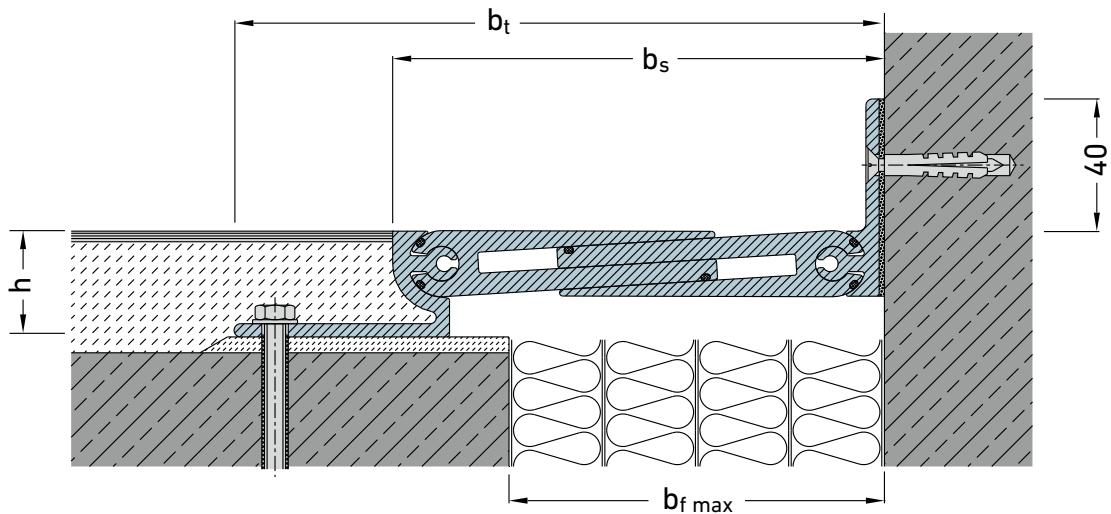
### FS E4



FS 40 E4



FSX 75 E4  
FSX 110 E4  
FSX 130 E4  
FSX 160 E4



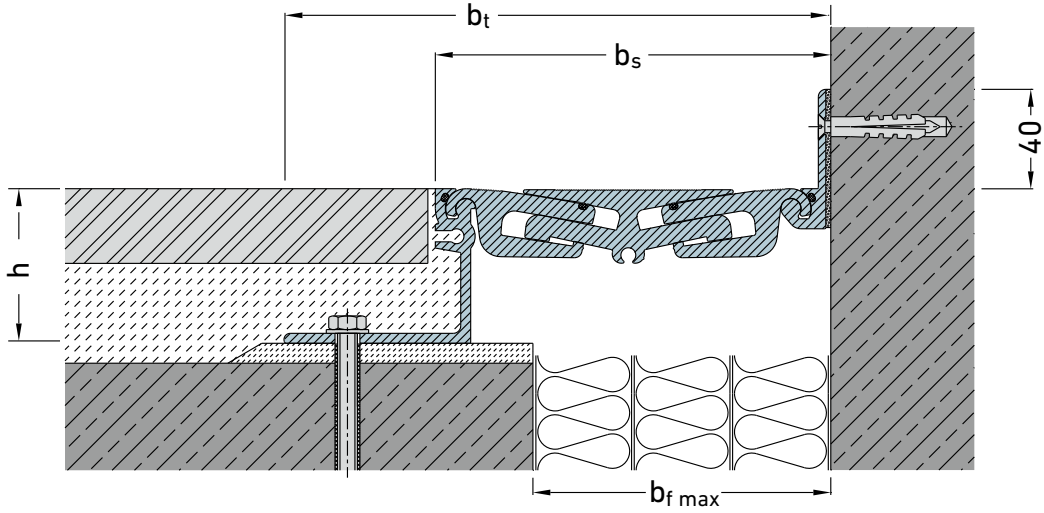
FS 185 E4

## WALL-CONNECTION VERSIONS

FS / FSV E4

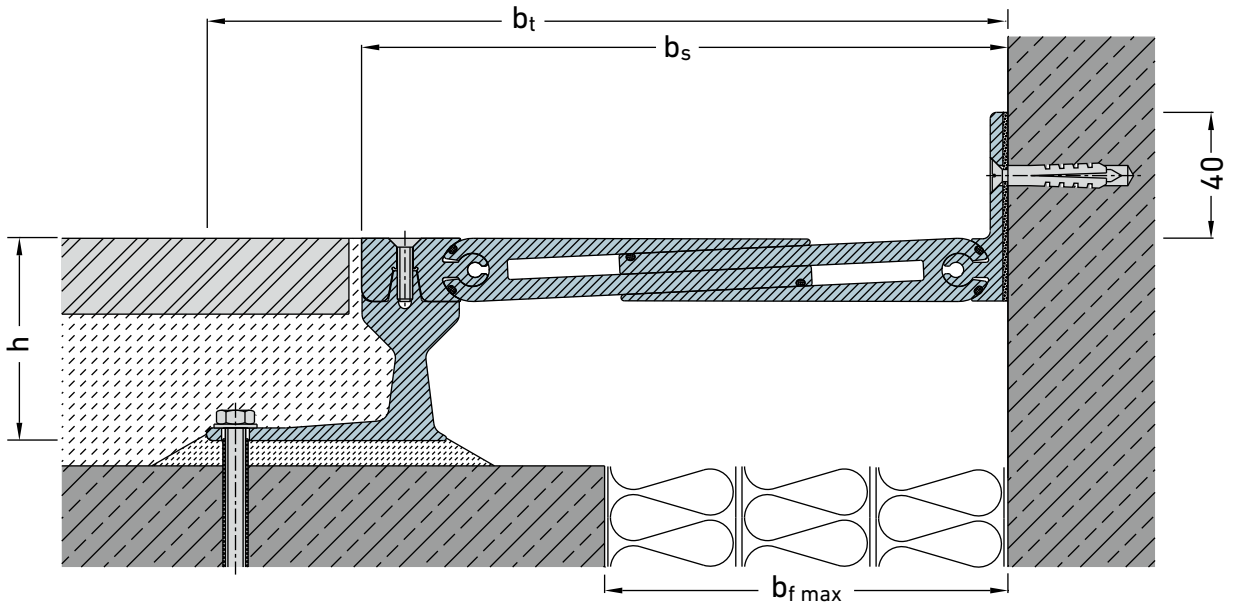
FSX 105 E4

FSX 155 E4

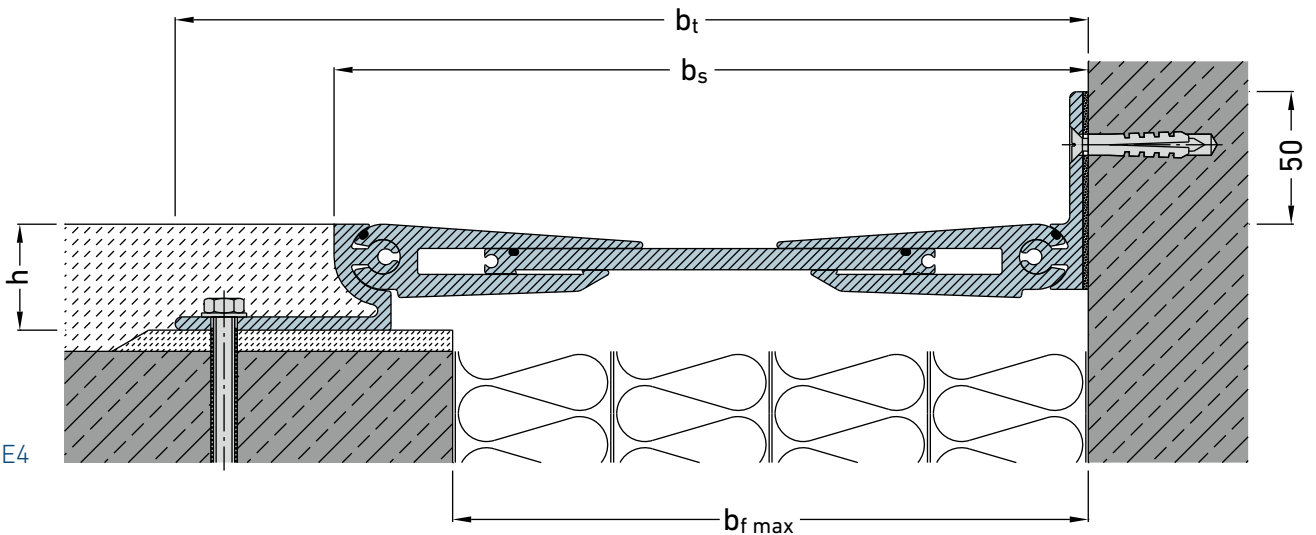


FSV 235 E4

FSV 280 E4

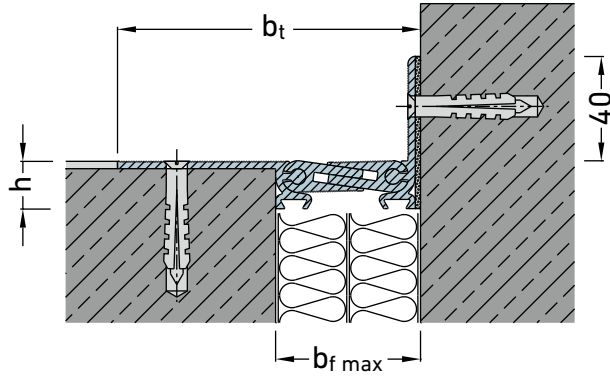


FSV 285 E4

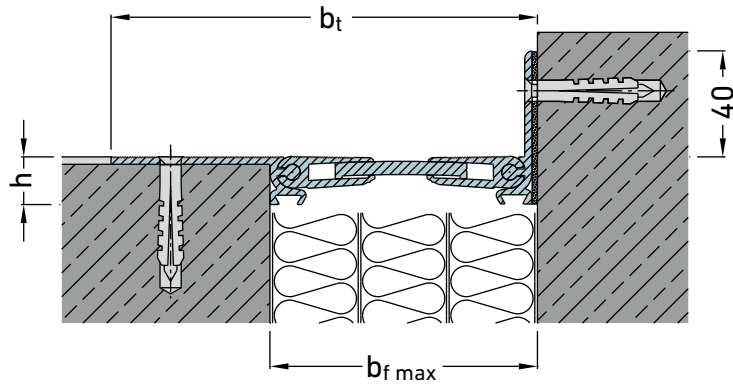


## WALL-CONNECTION VERSIONS

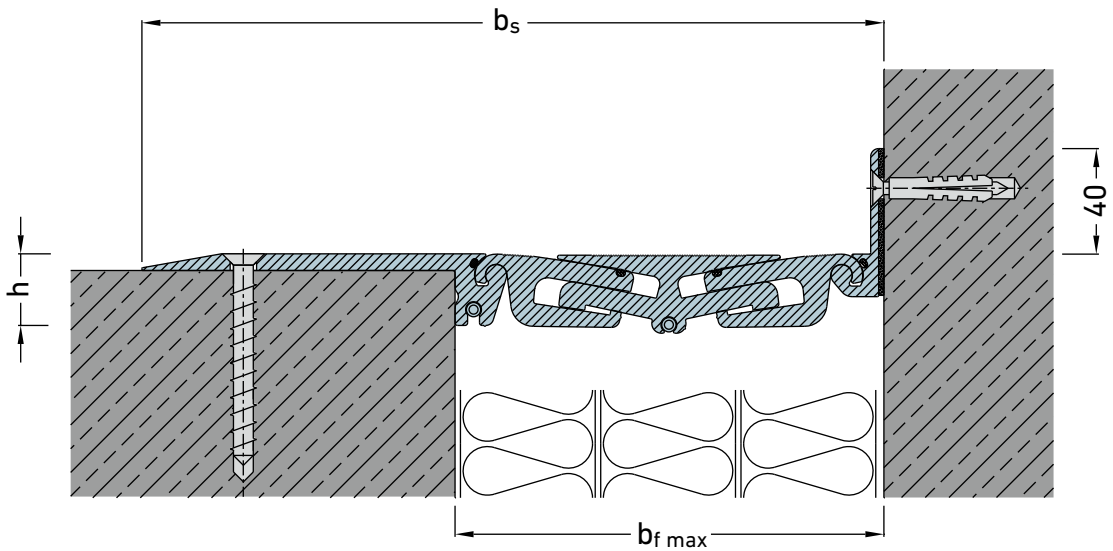
### FSN E4



FSN 50 E4



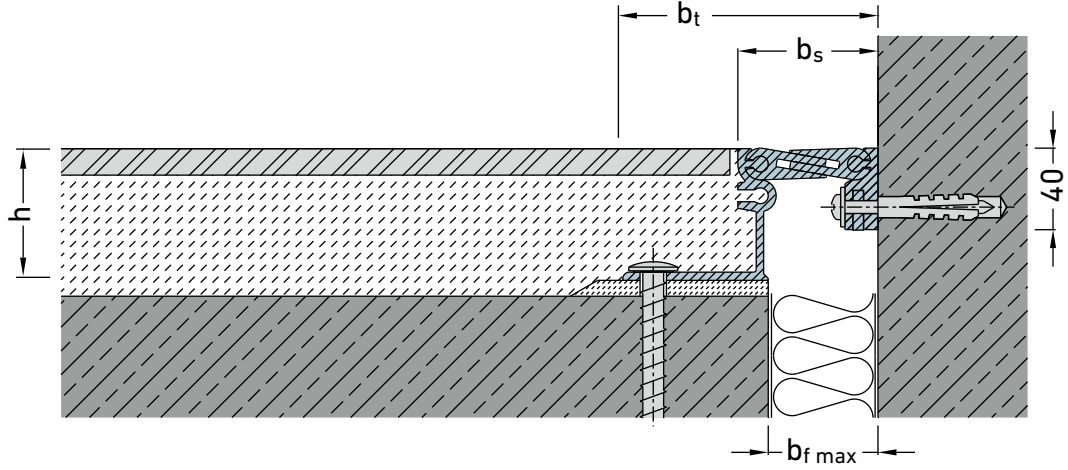
FSN 99 E4  
(FSNX 146 E4)



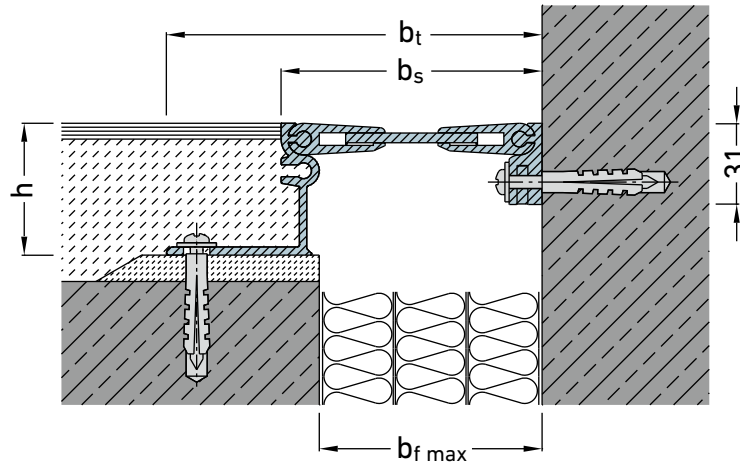
FSNX 105 E4  
FSNX 155 E4

## WALL-CONNECTION VERSIONS

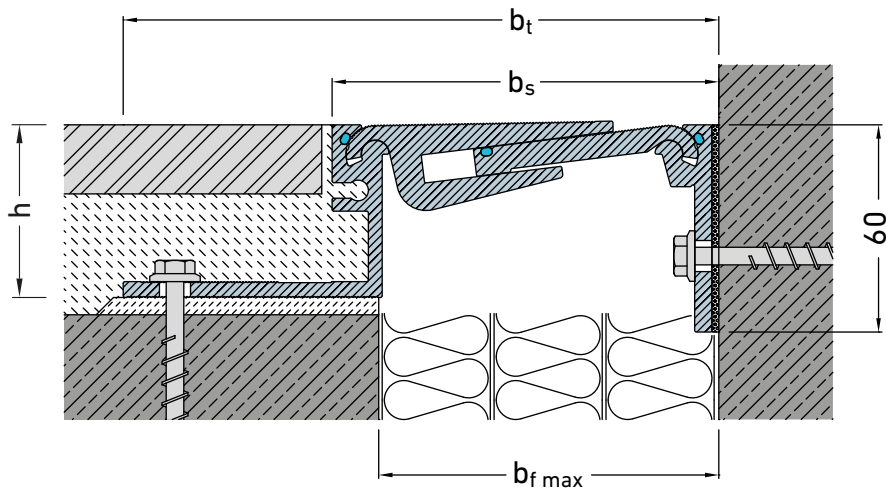
### FS E3



FS 50 E3



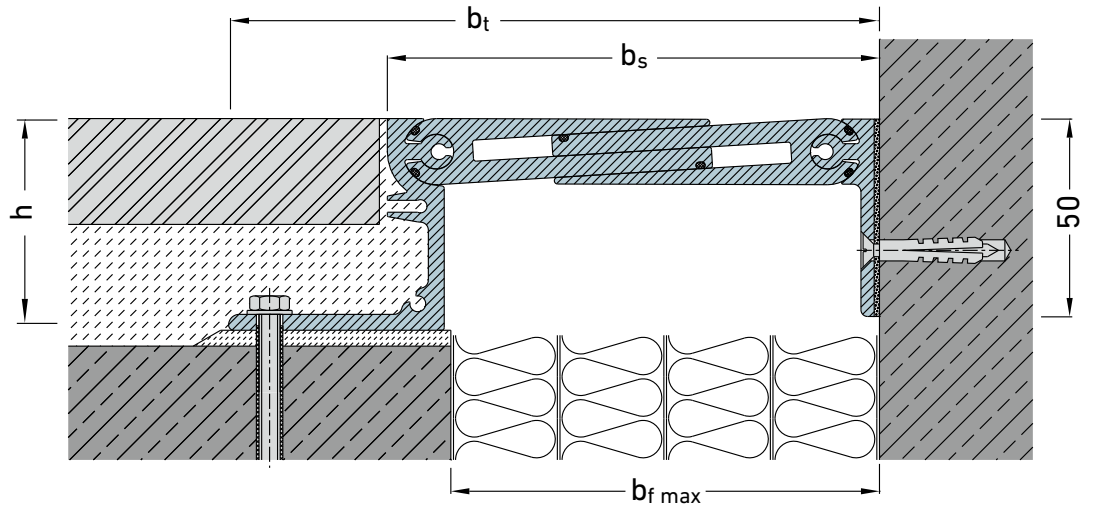
FS 99 E3



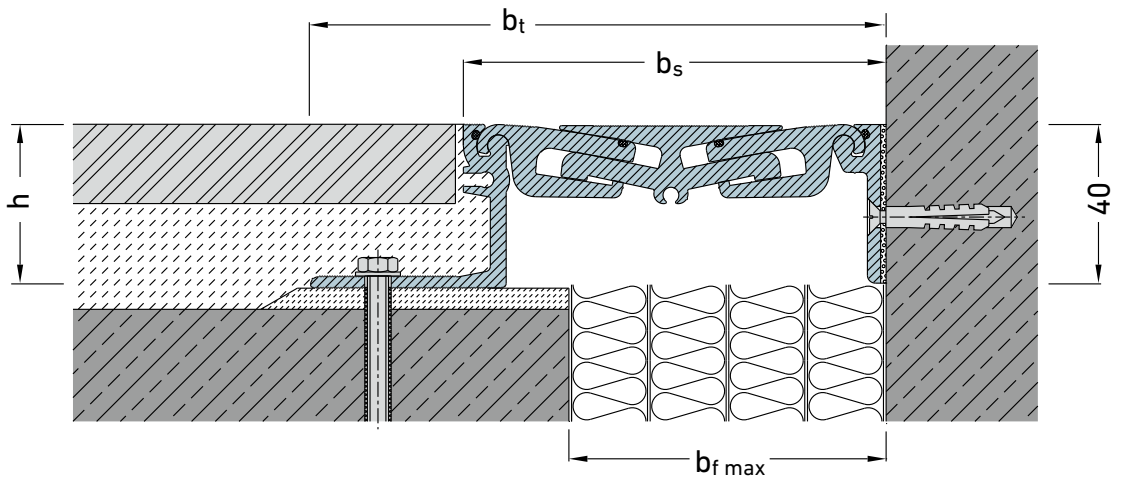
FSX 75 E3  
FSX 110 E3  
FSX 130 E3  
FSX 160 E3

## WALL-CONNECTION VERSIONS

### FS E3



FS 185 E3



FSX 155 E3

When using the E3 versions, please make use of our technical consultation services.

Kindly take the fixing facility into account when installing the E3 connection