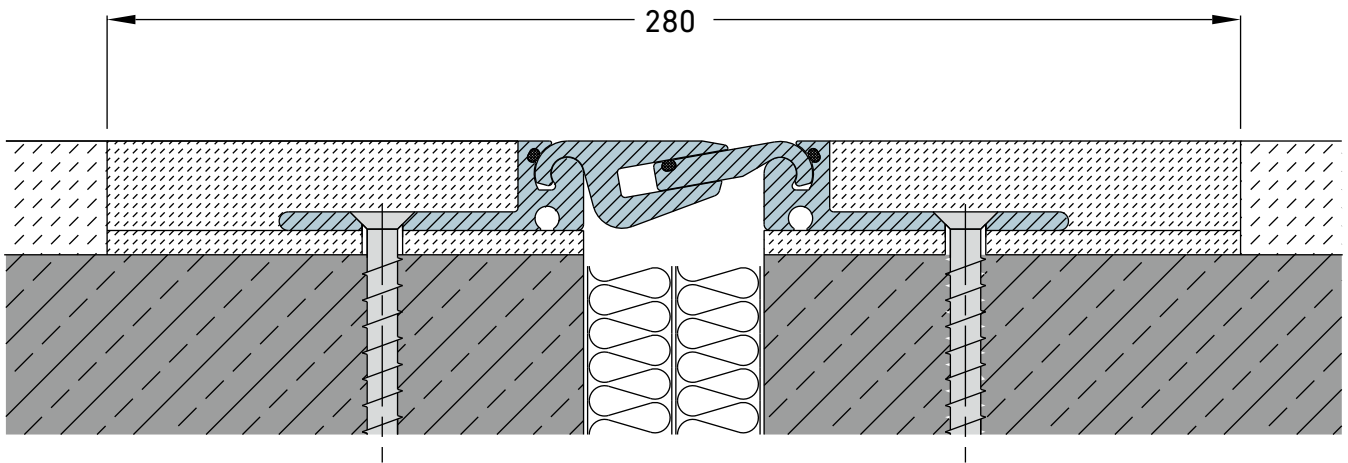


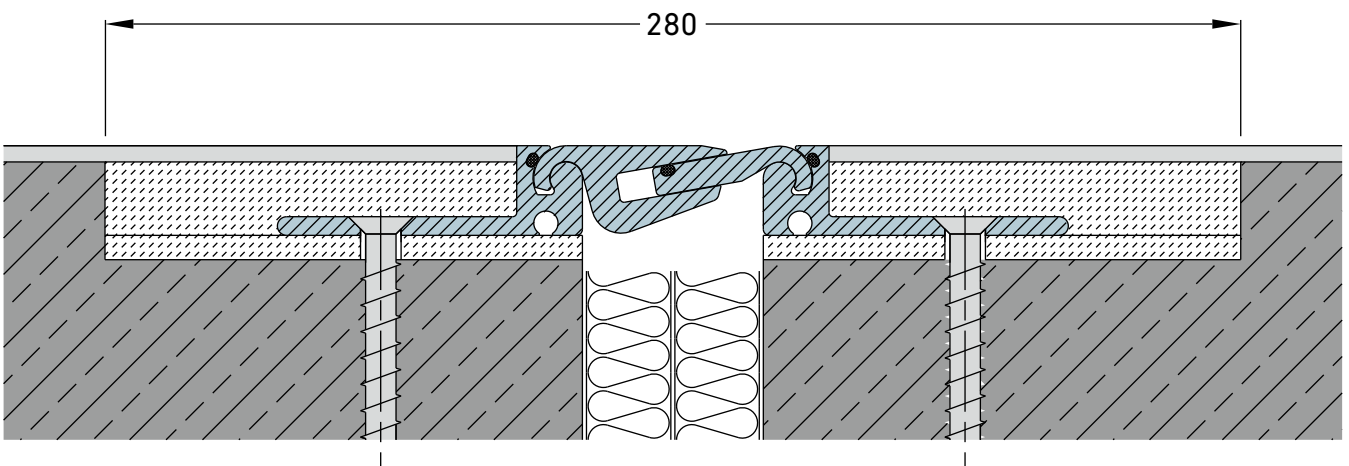
## INSTALLATION SUGGESTIONS

IN SCREED

IN EXISTING CUT-OUTS



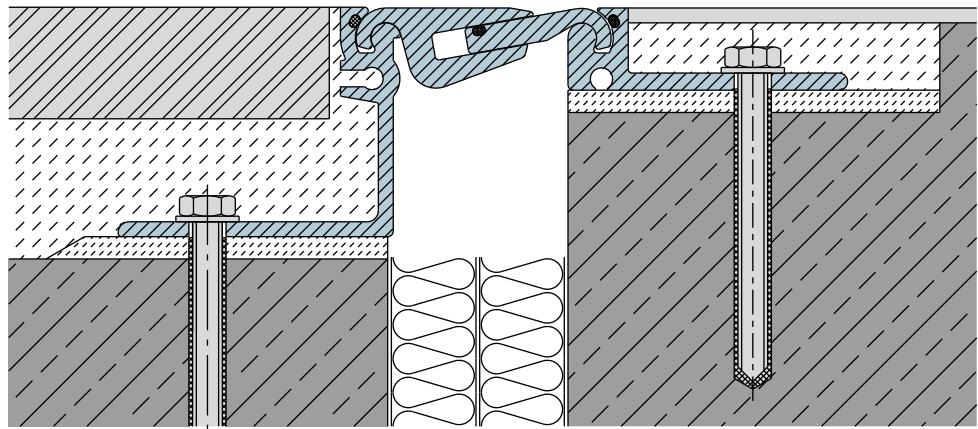
MIGUTRANS expansion joint construction, e.g. in conjunction with hard-aggregate floor screed, magnesite screed: FSX 75/22



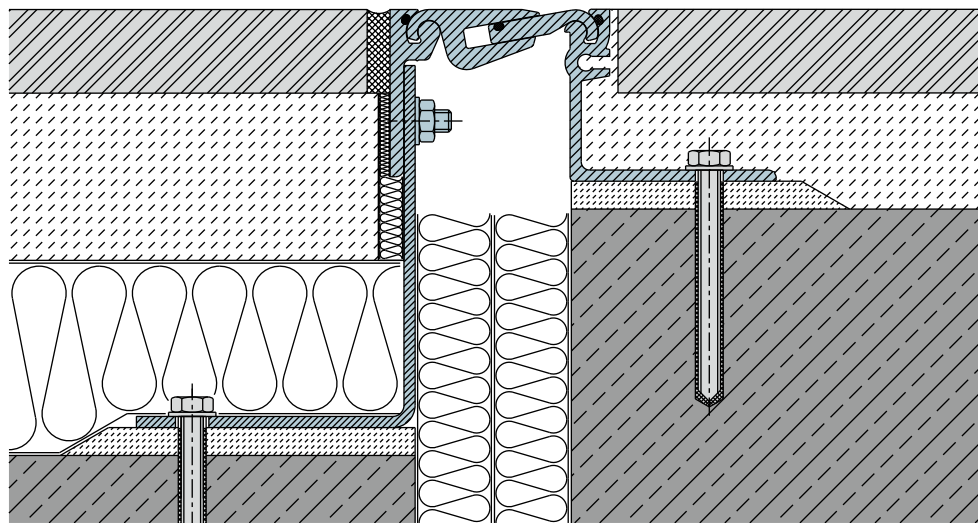
MIGUTRANS expansion joint construction in existing on-site cut-out with mounted expansion joint cover: FSX 75/22

## INSTALLATION SUGGESTIONS EXPANSION JOINT COMBINATIONS

FSX 75/22-60

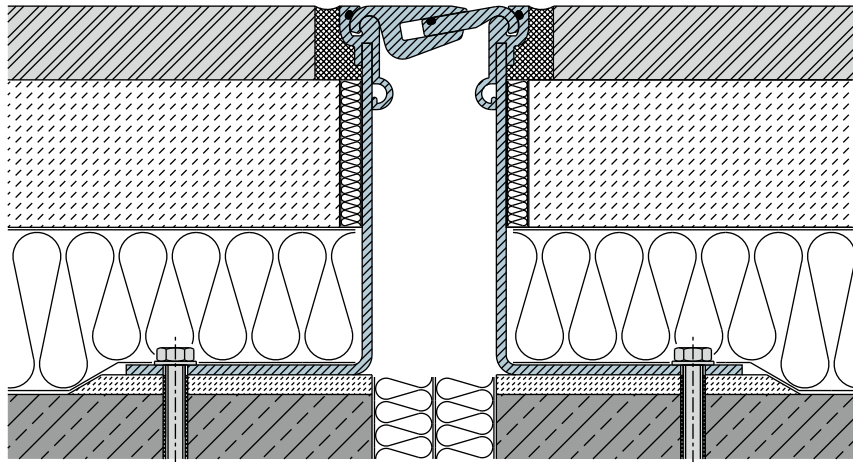


FSX 75/60-150

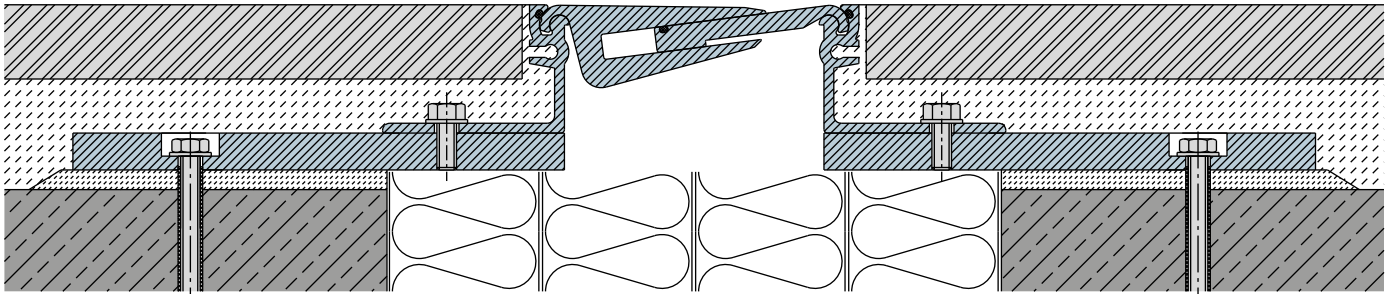


## INSTALLATION SUGGESTIONS

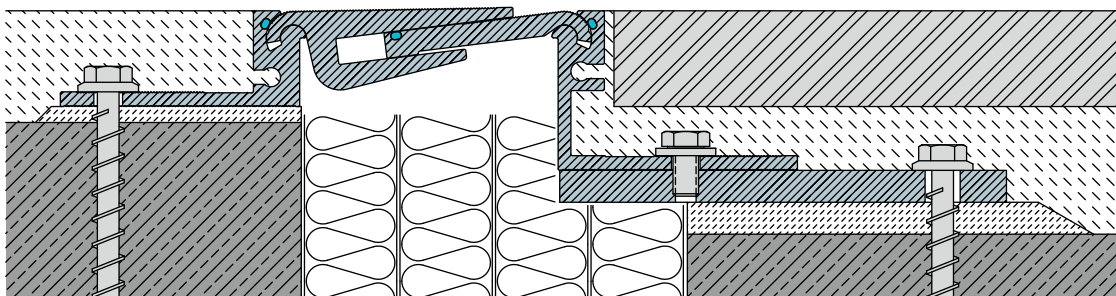
### LARGE CONSTRUCTION HEIGHT EXTREMELY WIDE CONSTRUCTION JOINTS



MIGUTRANS expansion joint construction for large construction heights

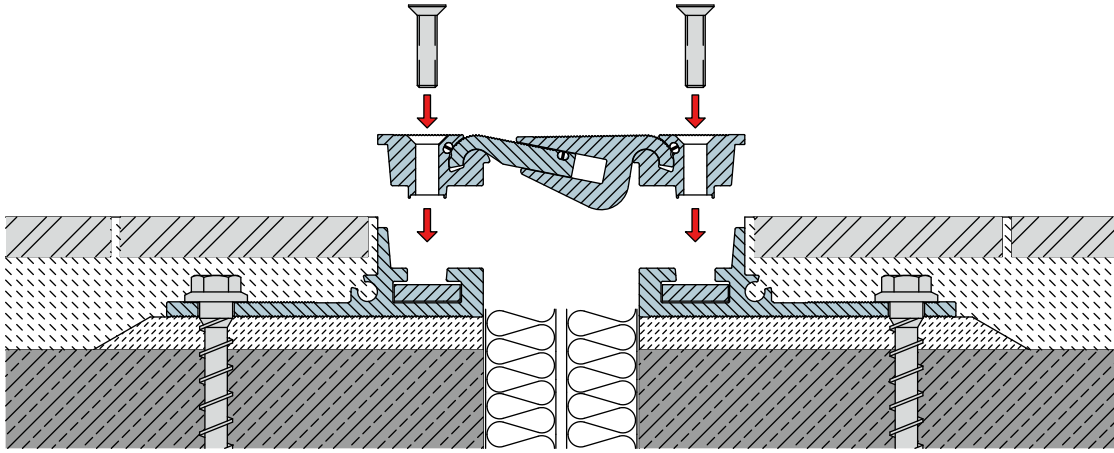


MIGUTRANS expansion joint construction with factory-supplied aluminium plates for extremely wide construction joints

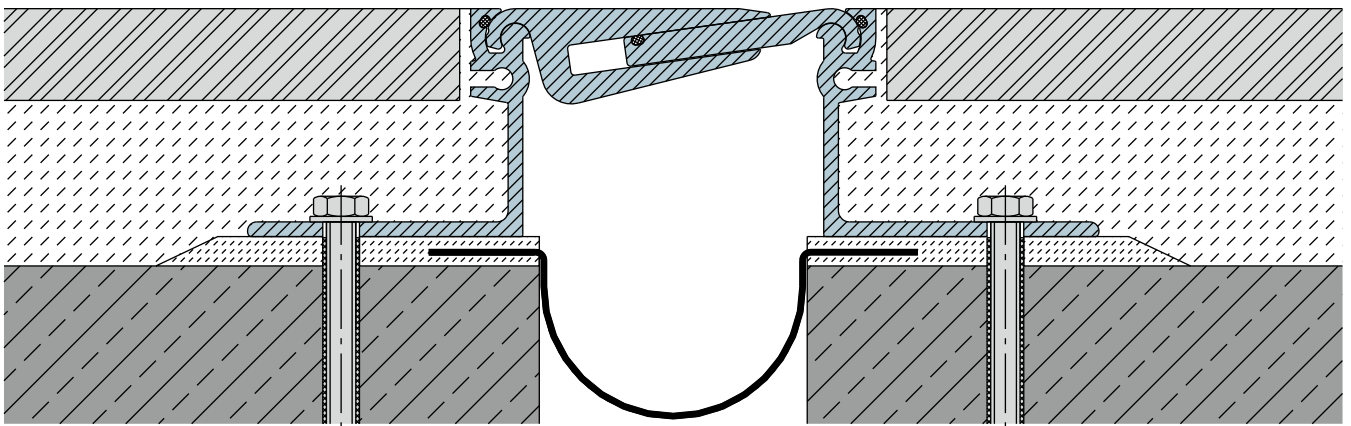


MIGUTRANS expansion joint construction with one-sided carry-over

## INSTALLATION SUGGESTIONS



MIGUTRANS expansion joint construction FSRX with visible part that is exchangeable



MIGUTRANS expansion joint construction with MIGUFOL tape