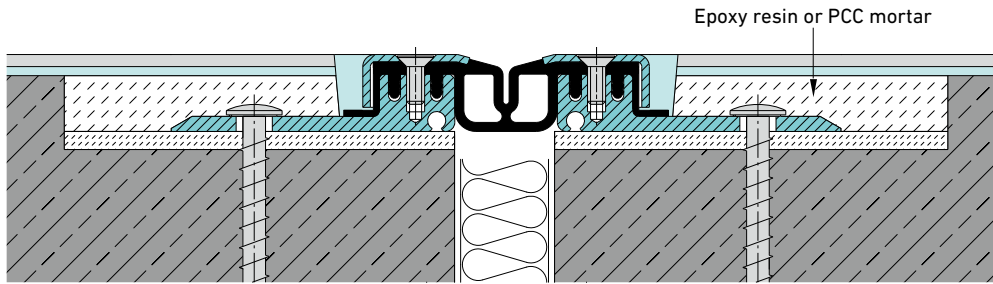
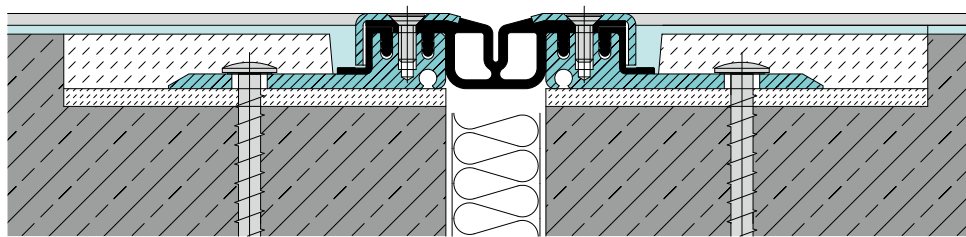


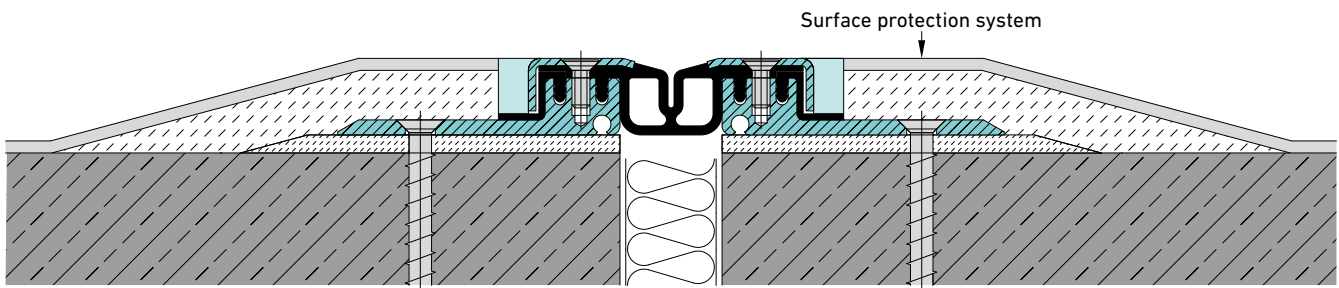
JOINT CONSTRUCTIONS APPLICATION EXAMPLES



FP 90/25 NI installation suggestion: MIGUTAN joint construction with short AAS sheets in conjunction with hard-aggregate floor screed or asphalt without area seal

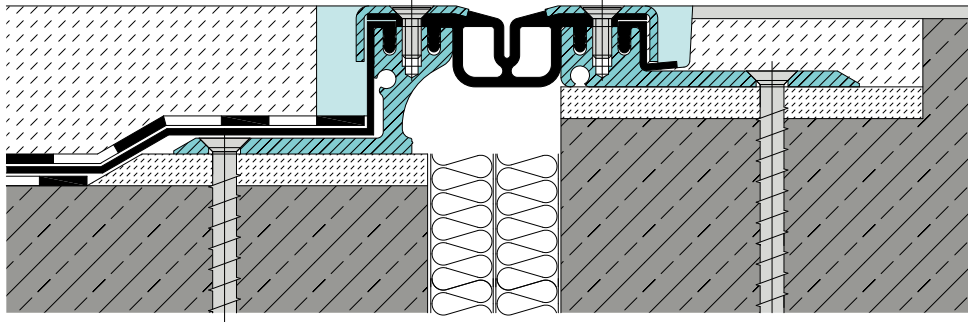


FP 90/25 NI installation suggestion: MIGUTAN joint construction with short AAS sheet laid on raw concrete floor

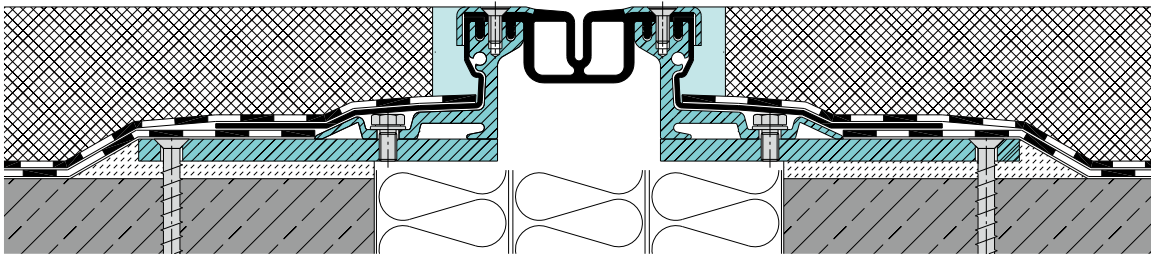


FP 90/25 NI Installation suggestion: MIGUTAN joint construction with short AAS sheets placed on raw concrete ceiling with sealing surface protection system

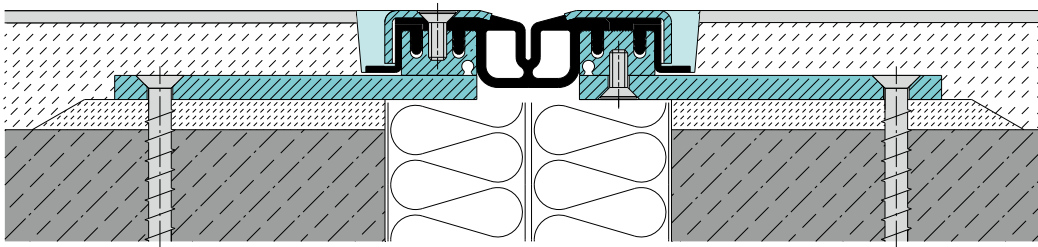
JOINT CONSTRUCTIONS APPLICATION EXAMPLES



Installation suggestion: expansion joint combination FP 90/60 NI (long AAS sheets) with FP 90/25 NI (short AAS sheets)

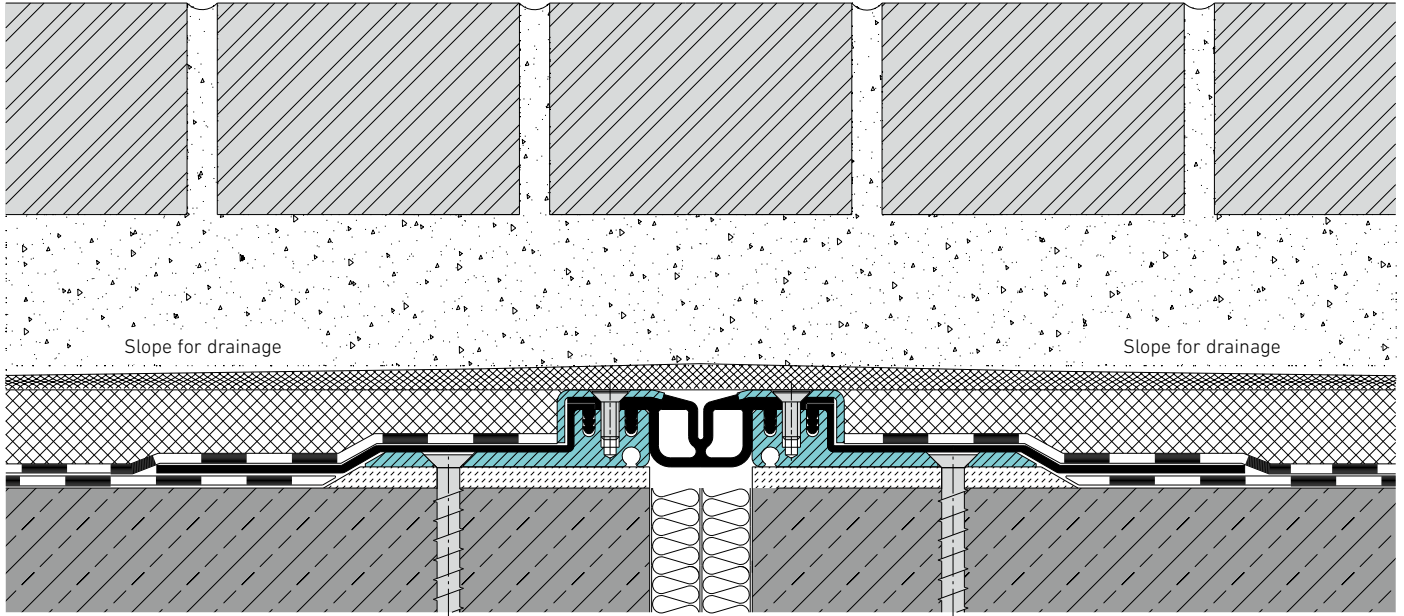


Installation suggestion: MIGUTAN joint construction with long AAS sheets and factory applied cover plates for extremely wide construction joints

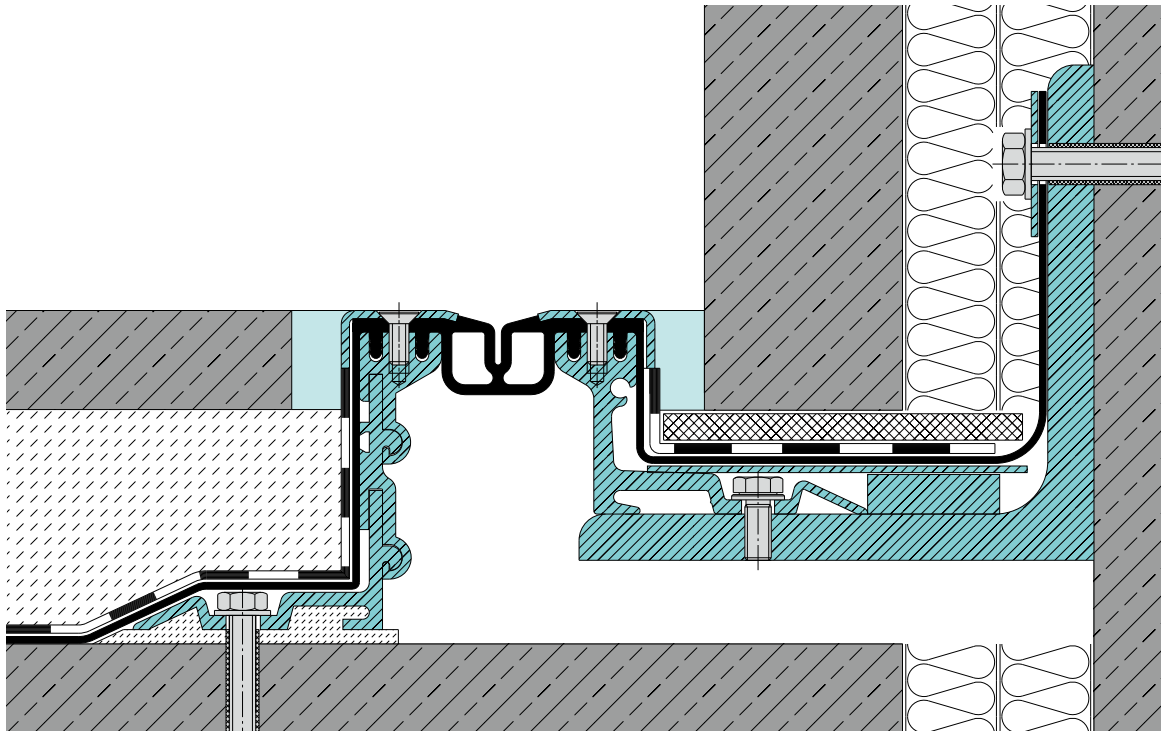


Installation suggestion: MIGUTAN joint construction with short AAS sheets and factory-bonded drag plates for very wide construction joints with the lowest possible construction heights.

JOINT CONSTRUCTIONS APPLICATION EXAMPLES

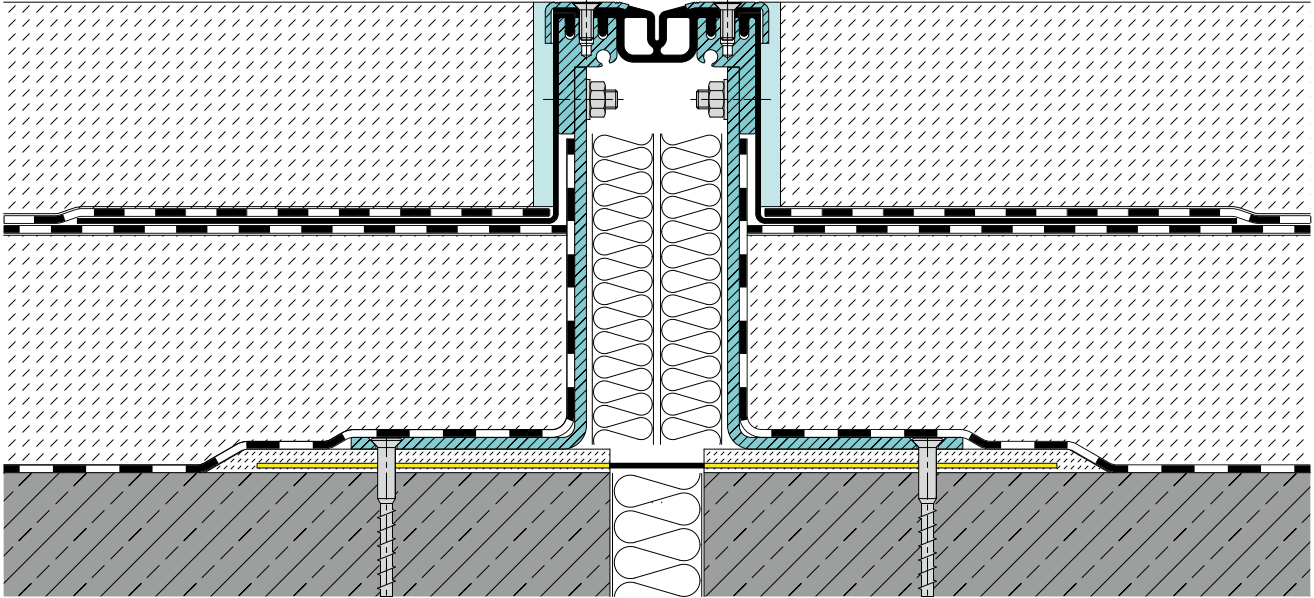


Installation suggestion: MIGUTAN joint construction with long AAS sheets used with over-construction

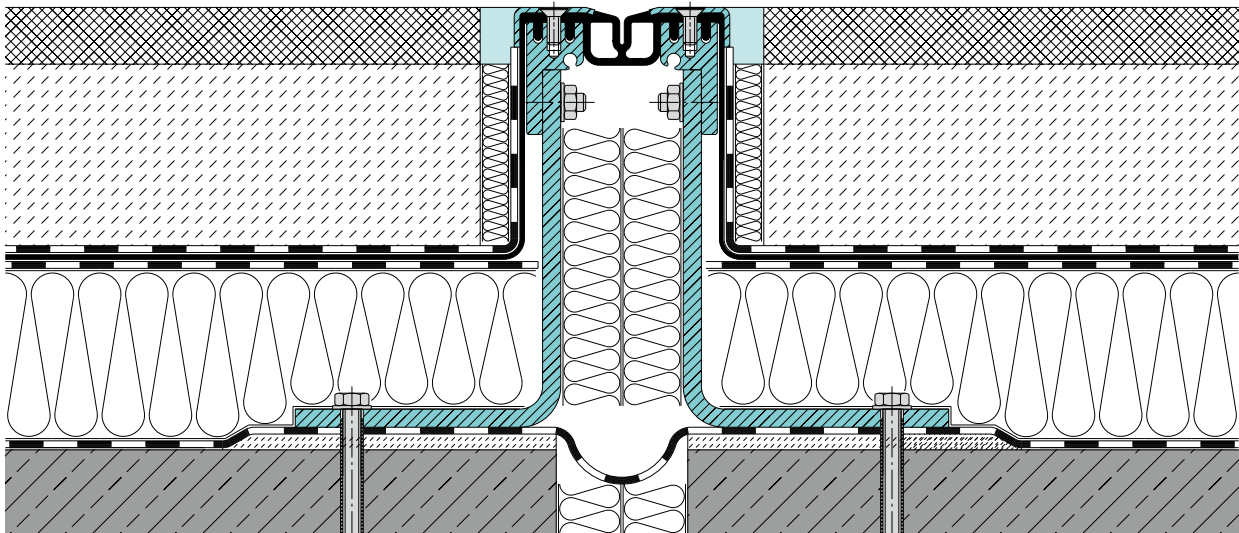


Installation suggestion: MIGUTAN joint construction with long AAS sheets as wall connection in special version

JOINT CONSTRUCTIONS APPLICATION EXAMPLES

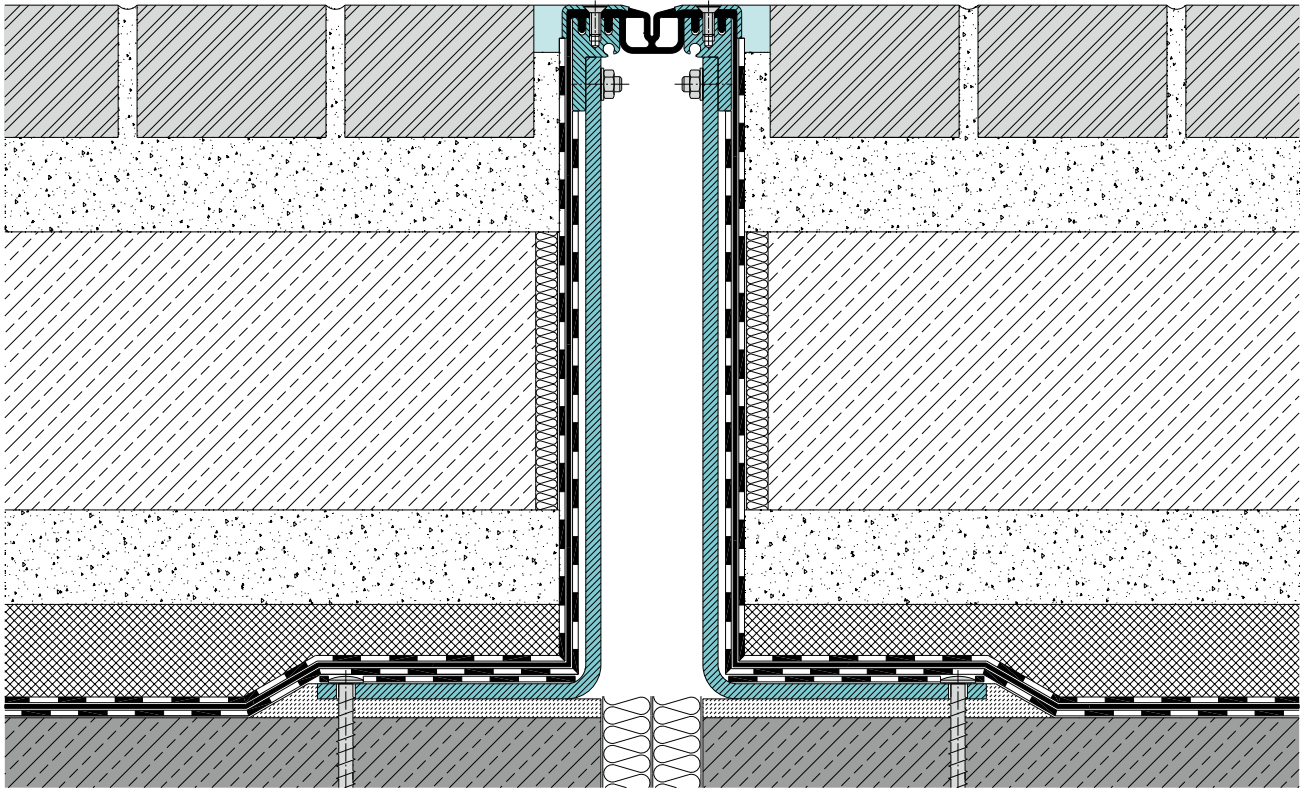


Installation suggestion: MIGUTAN expansion joint constructions with high profile structure in combination with a Migupren FlamLINE joint sealing tape as a vapour barrier.

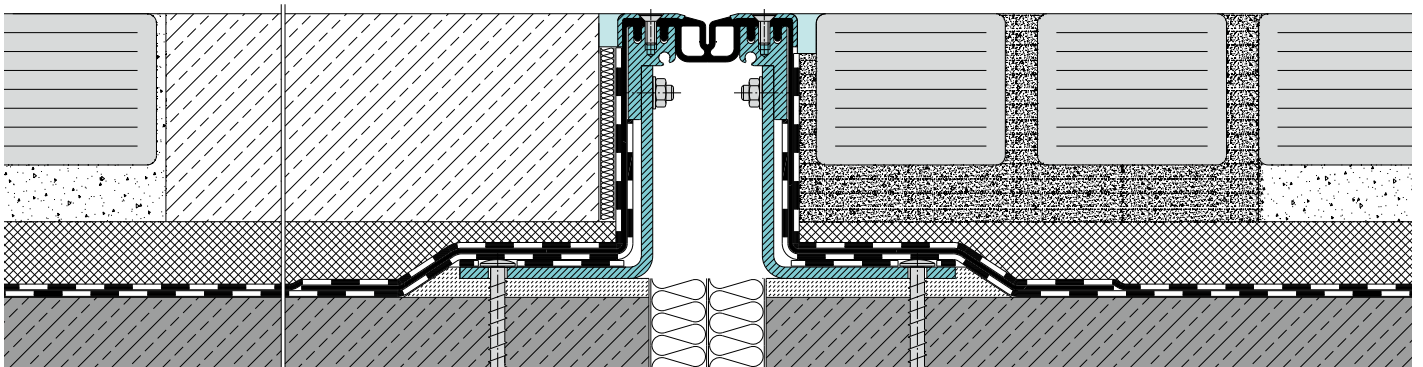


Installation suggestion: MIGUTAN joint construction in conjunction with long AAS sheets in conjunction with insulated structures

JOINT CONSTRUCTIONS APPLICATION EXAMPLES

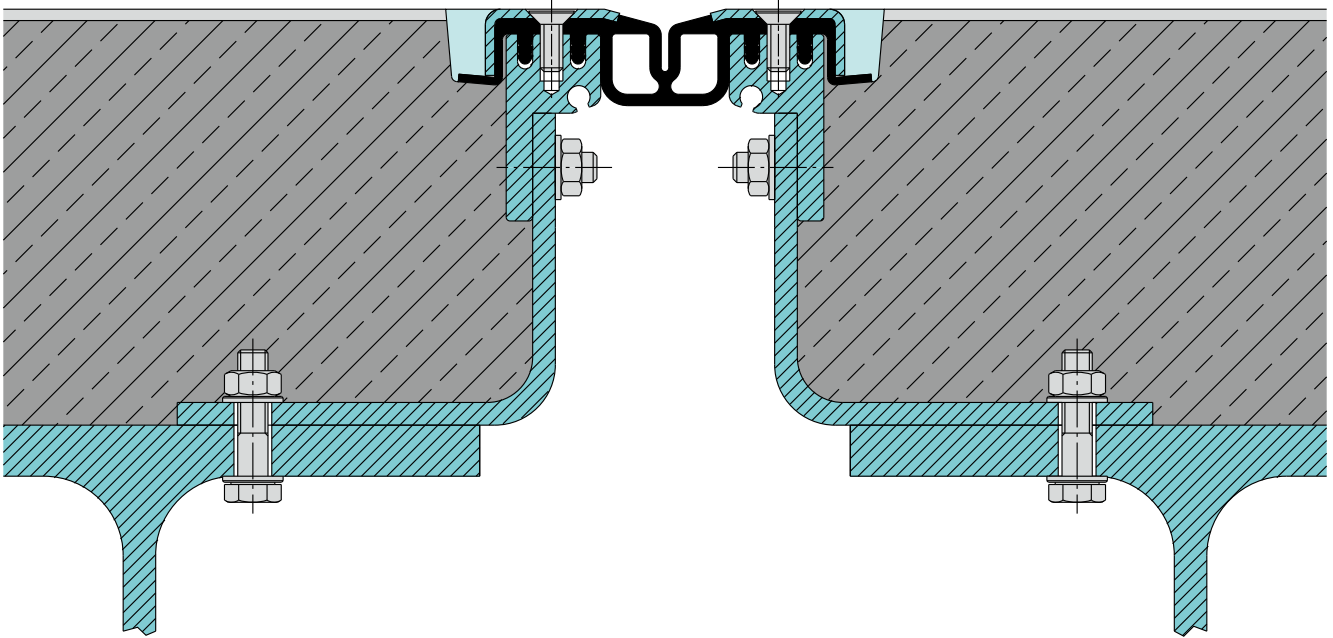


Installation suggestion: MIGUTAN joint construction with long AAS sheets for extremely large construction heights with pressure distribution plate

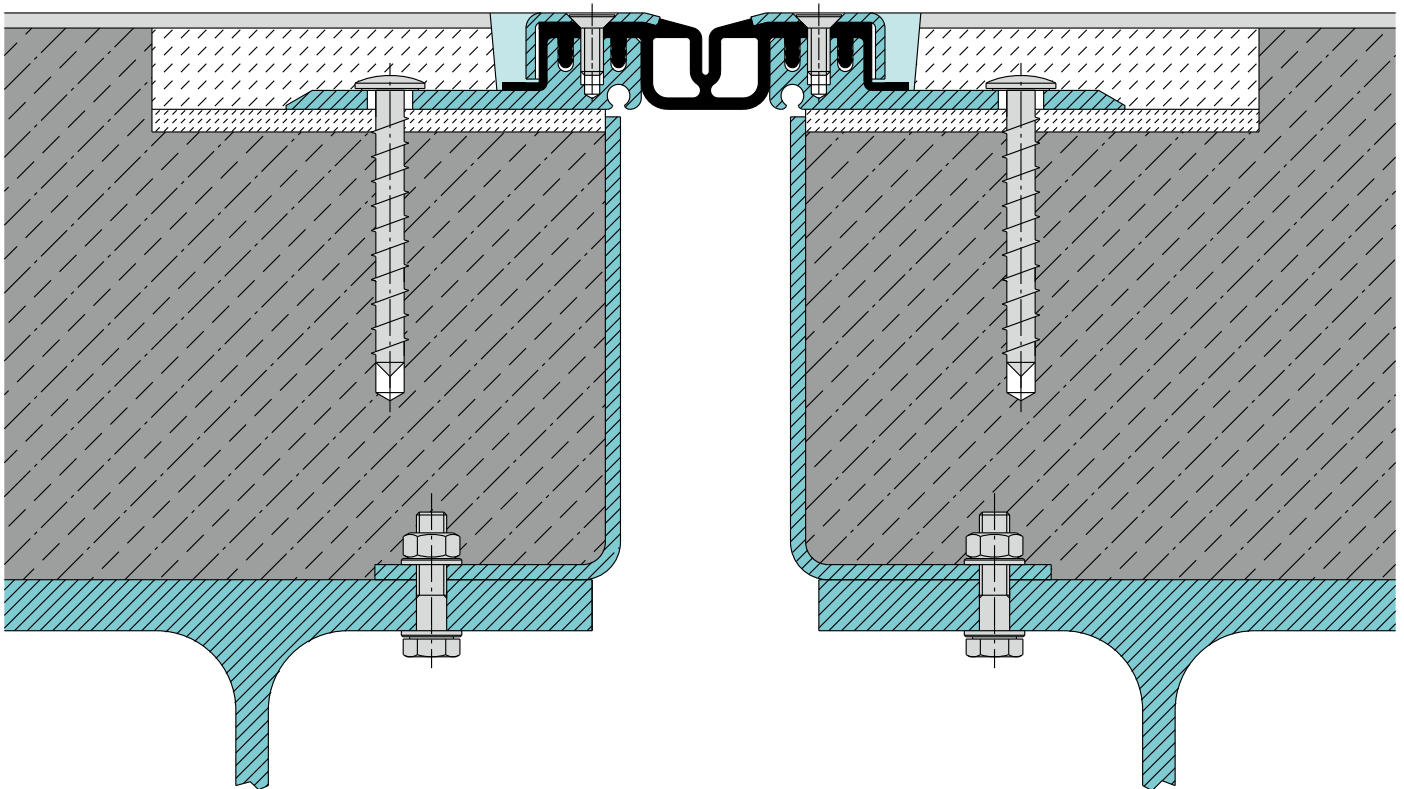


Installation suggestion: MIGUTAN joint construction with long AAS sheets for large construction heights

JOINT CONSTRUCTIONS APPLICATION EXAMPLES



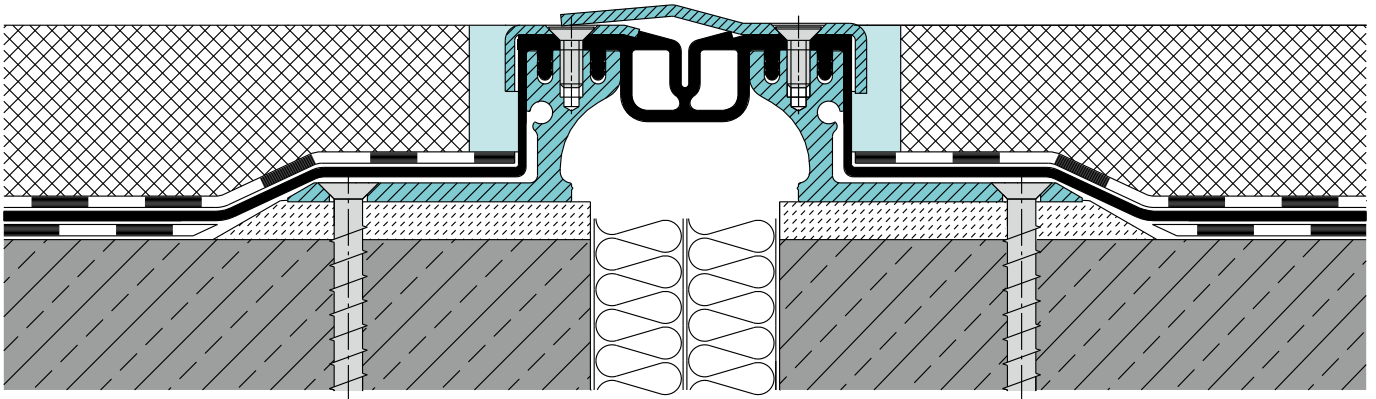
Installation suggestion: MIGUTAN joint construction in conjunction with short AAS sheets in conjunction with additive floors



JOINT CONSTRUCTIONS APPLICATION EXAMPLES WITH COVER PLATE

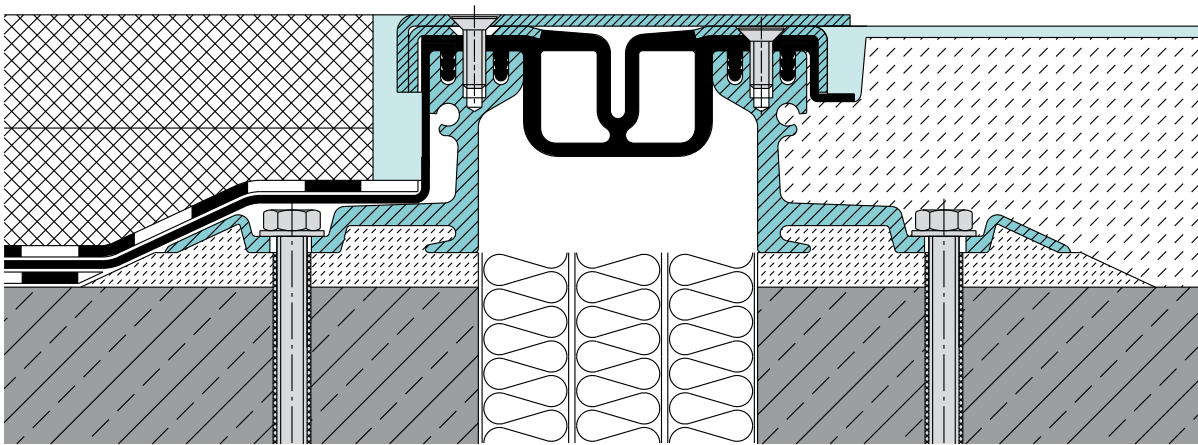
All installation proposals presented below must be checked and determined individually for each case according to the respective structural conditions. We have dispensed with the presentation of the functional layers; they must be carried out in accordance with the rules of technology.

All coatings shown below relate to the surface protection system OS 11 or OS 13 according to the guideline "Protection and Repair of Concrete Components" of 1990 and in the version of 2001. When using the previous system OS 3 (simple sealing), please consult our sales service centre first.



FP 90/45 NI AP 800

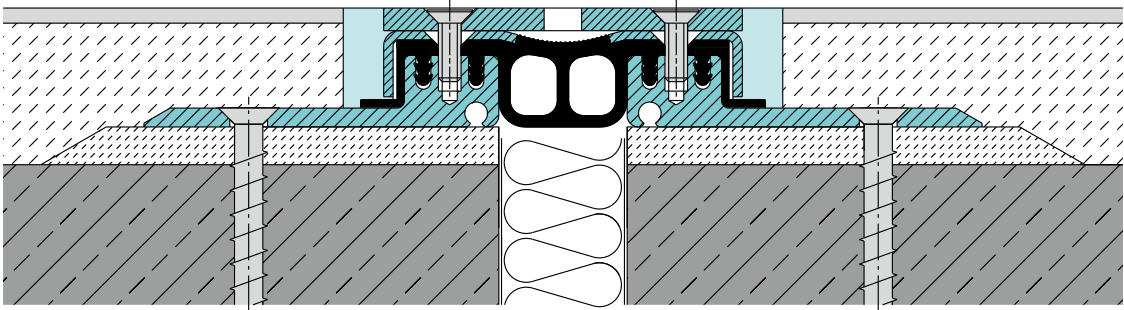
Stainless steel cover plate AP 800 in conjunction with the expansion joint covers from the range FP(G) 90. When using the cover plates, no accommodation for settlement is possible.



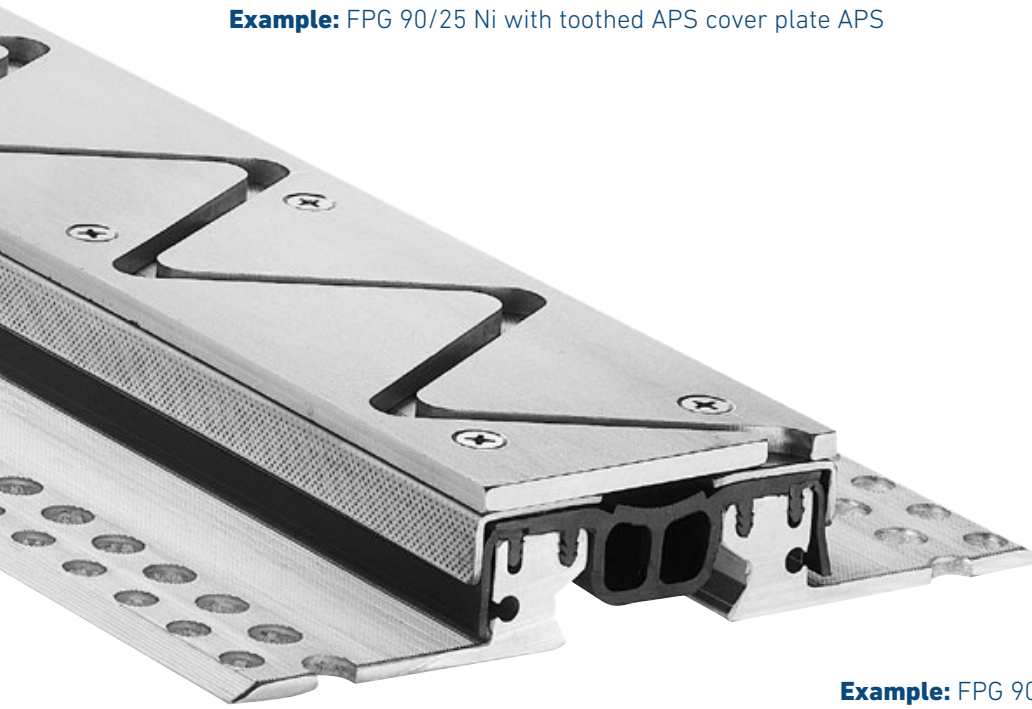
FP 110/60 NI LF APG 110/3

Smooth stainless steel cover plate APG in conjunction with the expansion joints from the range FP(G) 80 NI, FP(G) 90 NI, FP(G) 110 NI, FP 130 NI and FP 155 NI. When using the cover plates, no accommodation for settlement is possible.

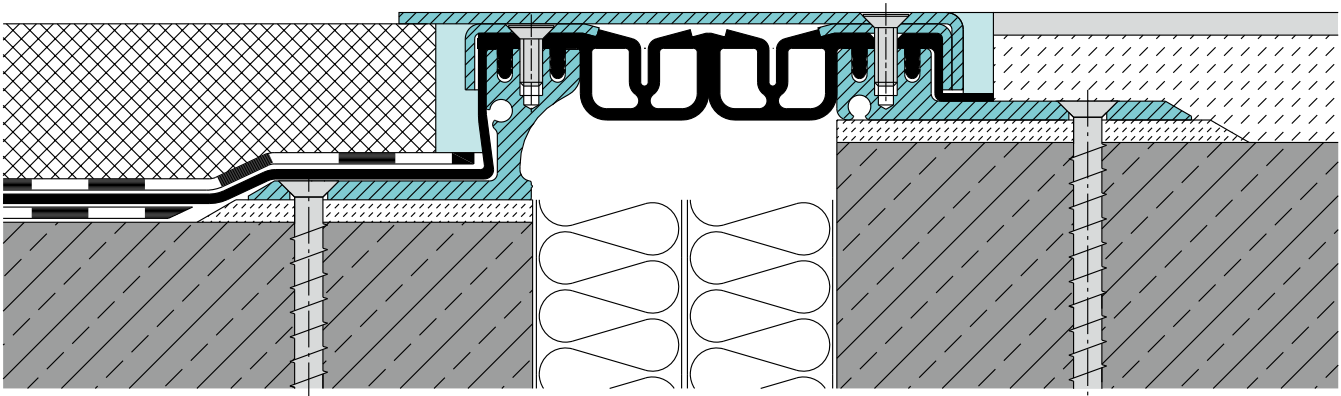
JOINT CONSTRUCTIONS APPLICATION EXAMPLES



Example: FPG 90/25 Ni with toothed APS cover plate APS

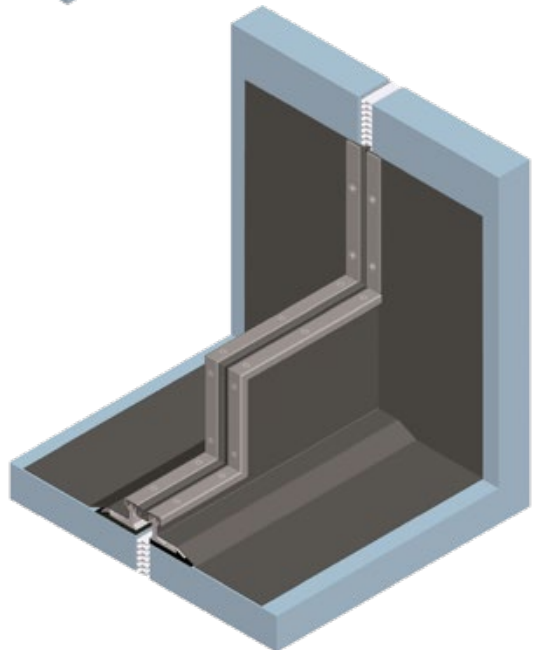
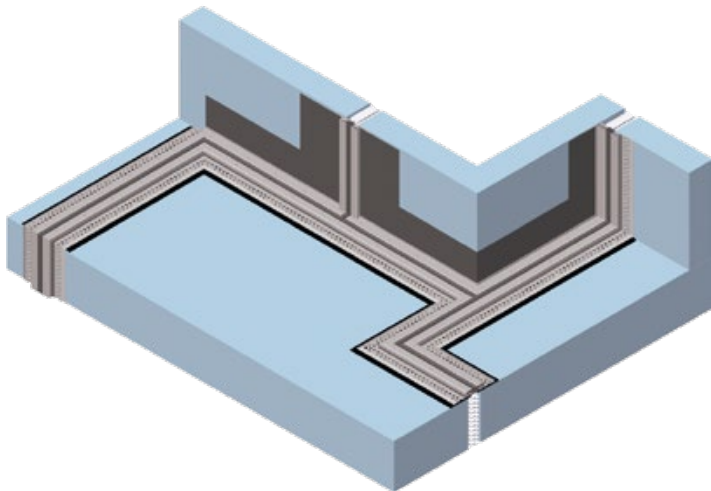
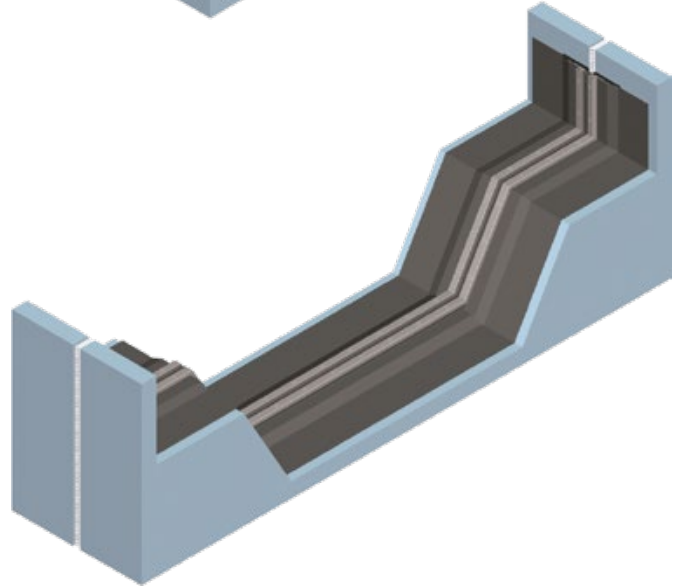
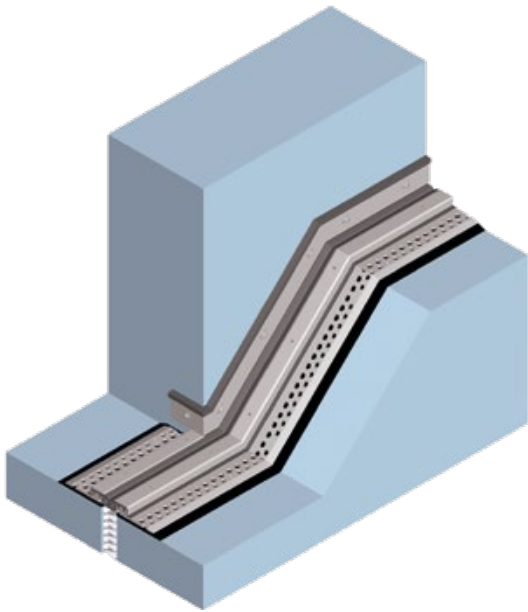
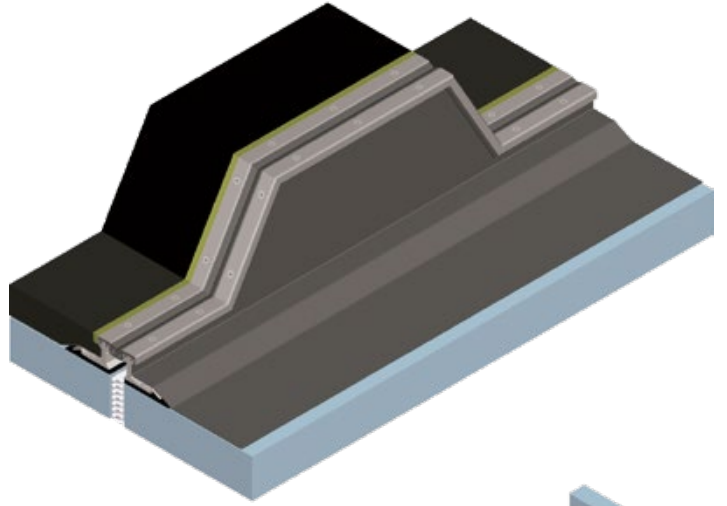
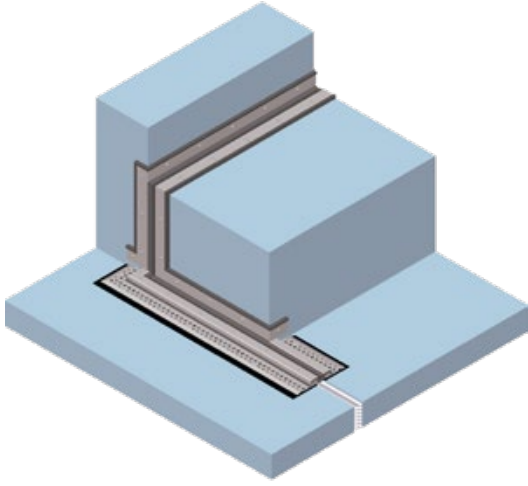


Example: FPG 90/35 Ni with APS cover plate



Installation suggestion: Expansion joint combinations FP .../25 NI (short AAS sheets) with FP .../45 NI (long AAS sheets) with APG cover plate for wide joints

SYSTEM FP 90 EXAMPLES



PRACTICAL APPLICATIONS



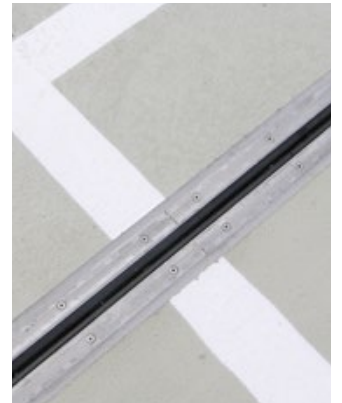
Airport Nuremberg, Germany – FP 90; FP 115



Airport Cologne, Germany – FP 90



Parking deck shopping mall Dresden, Germany





Parking garage Berlin, Germany Berlin, Beusselstraße



Refurbishment pedestrian bridge, Eilenburg, Germany



Parking garage Annaberg, Germany – FP 90



Airport Berlin Brandenburg, Germany – FP 90 BNI



Parking garage Weiterstadt, Germany – FP 90