

D4493 / 4" DRAINABLE LOUVER

DRAINABLE LOUVERS

MIGUSHIELD

ARCHITECTURAL LOUVERS



Architectural Louvers	D4493 / 4" Drainable Louver
Louver Type	Mullion or Continuous Line
Louver Depth	4" (102 mm)
Blade Angle	49°
Free Area - 4'x4' Unit	7.68 sq.ft. (0.714 m ²)
Percentage Free Area	48%
Free Area Velocity at Beginning Point of Water Penetration [0.01 oz/ft ²]	1033.2 FPM (5.25 m/s)
Air Volume at Beginning Point of Water Penetration 4'x4' Unit [test duration of 15 minutes]	7935 CFM (3.75 m ³ /s)
Pressure Drop at Beginning Point of Water Penetration	0.25 in. H ₂ O (62.3 Pa)
Notes	Tested without bird screens

System Description

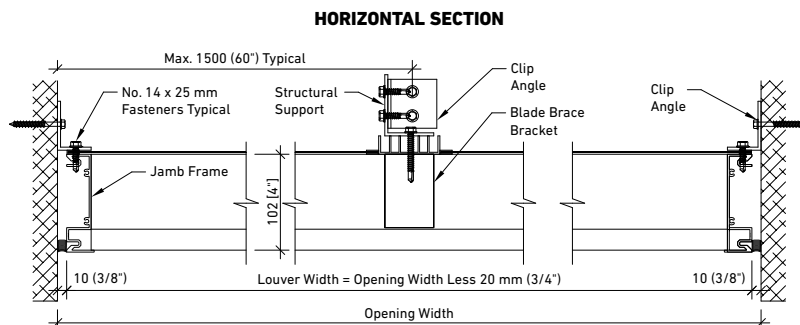
Extruded aluminum construction; frame with channel profile; corner joints mitered and mechanically fastened, with continuous recessed channel each side.

Material

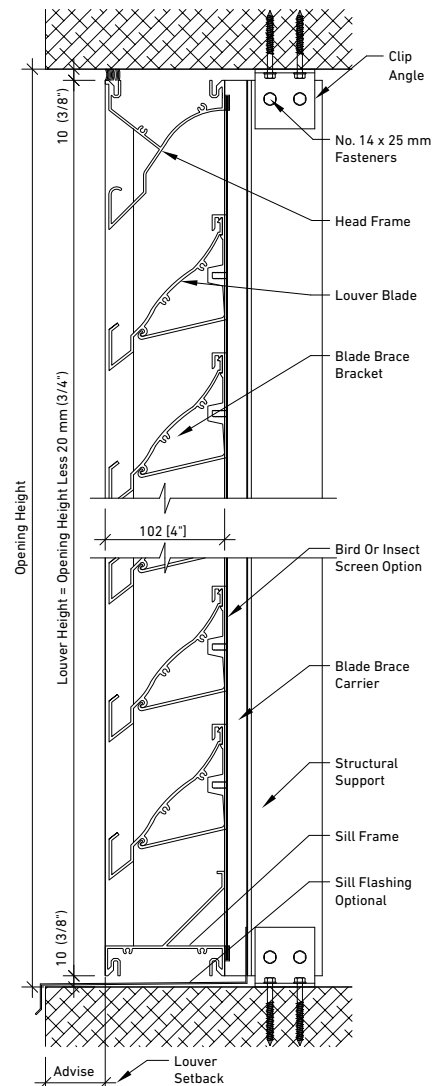
Jambs and Mullions shall have integral, vertical gutters to direct water to the bottom of the exterior face of the louver and away from the building. Blades shall be 0.080" (2.0 mm) 6063-T5 aluminum alloy and include an integral horizontal gutter to lead water to the vertical gutters in the mullions and jambs. Louvers shall be supplied with a 1/2" (12 mm), 19 gauge (1 mm) welded and regalvanized wire mesh in a mill finish, aluminum frame. Fasteners shall be standard zinc plated steel or stainless steel.

Structural Design

Structural supports shall be designed and furnished by the louver manufacturer to support a wind load of 20 psf (958 Pa), unless specified otherwise. Any louver opening greater than 10' (3 m) high, will require a horizontal girt, at mid span by others.



VERTICAL SECTION



D4493 / 4" DRAINABLE LOUVER

DRAINABLE LOUVERS

MIGUSHIELD

ARCHITECTURAL LOUVERS

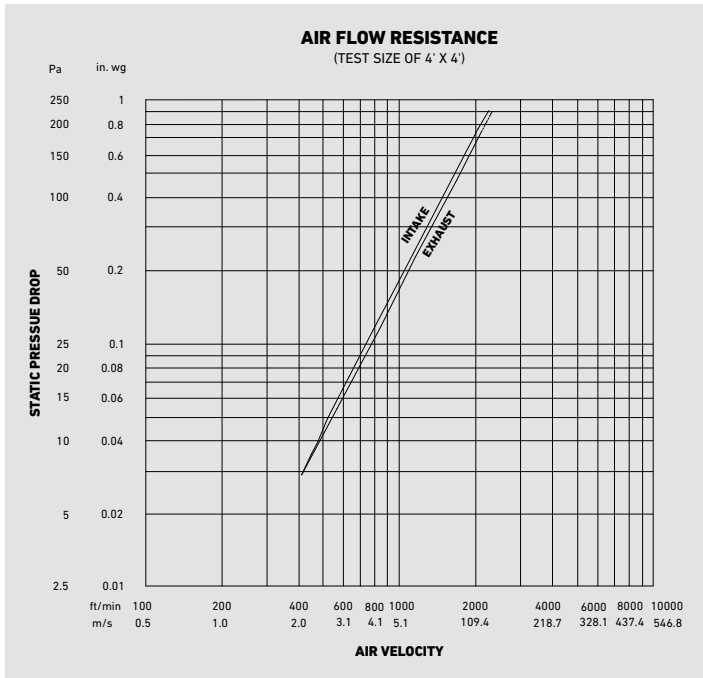
Louver height in inches/millimeters	Louver width in inches/millimeters				
	12 305	24 610	36 914	48 1219	60 1524
Free area in square ft/square meters					
12 305	0.30 0.03	0.67 0.06	1.05 0.10	1.42 0.13	1.79 0.17
24 610	0.70 0.07	1.57 0.15	2.44 0.23	3.30 0.31	4.17 0.39
36 914	1.23 0.11	2.74 0.25	4.25 0.39	5.76 0.54	7.27 0.68
48 1219	1.62 0.15	3.62 0.34	5.61 0.52	7.68 0.71	9.60 0.89
60 1524	2.15 0.20	4.80 0.45	7.45 0.69	10.10 0.94	12.75 1.19
72 1829	2.55 0.24	5.68 0.53	8.82 0.82	11.95 1.11	15.08 1.40
84 2134	2.94 0.27	6.56 0.61	10.18 0.95	13.80 1.28	17.42 1.62
96 2438	3.47 0.32	7.75 0.72	12.02 1.12	16.29 1.51	20.57 1.91
108 2743	3.87 0.36	8.62 0.80	13.38 1.24	18.14 1.69	22.90 2.13
120 3048	4.57 0.42	10.20 0.95	15.83 1.47	21.45 1.99	27.08 2.52
132 3353	4.79 0.45	10.69 0.99	16.59 1.54	22.49 2.09	28.38 2.64
144 3658	5.19 0.48	11.57 1.08	17.96 1.67	24.34 2.26	30.72 2.86

Finishes

- PE-SDF
- PVDF
- Anodize after fabrication

Options & Accessories

- Bird Screen
- Insect Mesh



MIGUA MIDDLE EAST

www.migua.ae – UAE
A subsidiary of MIGUA FUGENSYSTEME GmbH
Wuelfrath, Germany

Manufactured under license,
from Ten Plus Architectural Products Ltd,
5 -2333 Millrace Court, Mississauga,
Ontario, Canada L5N 1W2