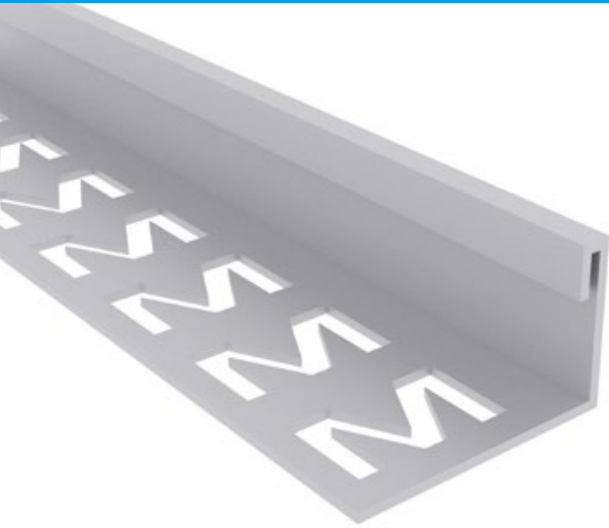


MTLUFS-3

PROFILES FOR FLOORS AND WALLS

MIGUTEC

TRIMS AND PROFILES



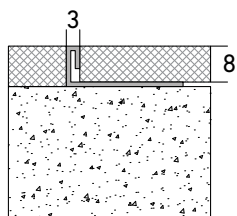
- 1 Trim for floors
- 2 Available in Stainless Steel 304, 316 and 316L finishes
- 3 Easy to install

Standard version	Height h [mm]	Visible Width vw [mm]	Standard Length l [meter]
MTLUFS-3-8	8	3	2.7
MTLUFS-3-10	10	3	2.7
MTLUFS-3-12	12	3	2.7
MTLUFS-3-15	15	3	2.7
MTLUFS-3-20	20	3	2.7
MTLUFS-3-25	25	3	2.7
MTLUFS-3-35	35	3	2.7
MTLUFS-3-40	40	3	2.7

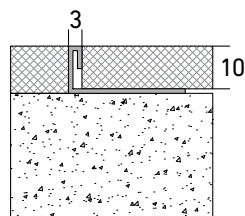
Material Options

- Stainless Steel 304 Brushed Finished
- Stainless Steel 304 Mirrored Finished
- Stainless Steel 316 Brushed Finished
- Stainless Steel 316 Mirrored Finished
- Stainless Steel 316L Brushed Finished
- Stainless Steel 316L Mirrored Finished

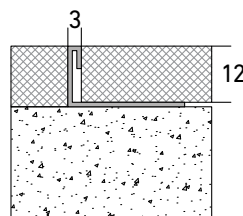
L Shape with 90 degree bend



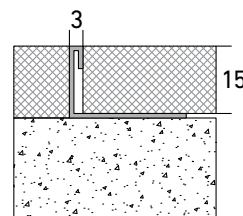
MTLUFS-3-8



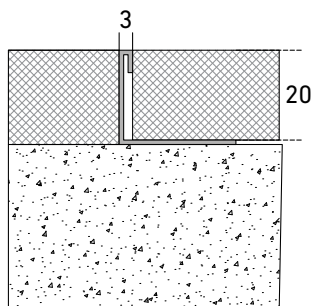
MTLUFS-3-10



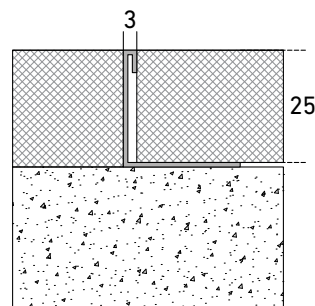
MTLUFS-3-12



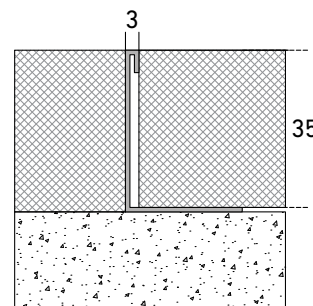
MTLUFS-3-15



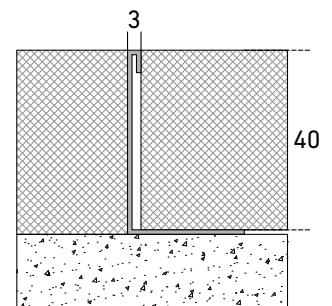
MTLUFS-3-20



MTLUFS-3-25



MTLUFS-3-35



MTLUFS-3-40

Standard color range

Bronze
 Rose Gold
 Champagne Gold

Actual finish might vary from the illustration. If required, colour sample will be provided for approval.